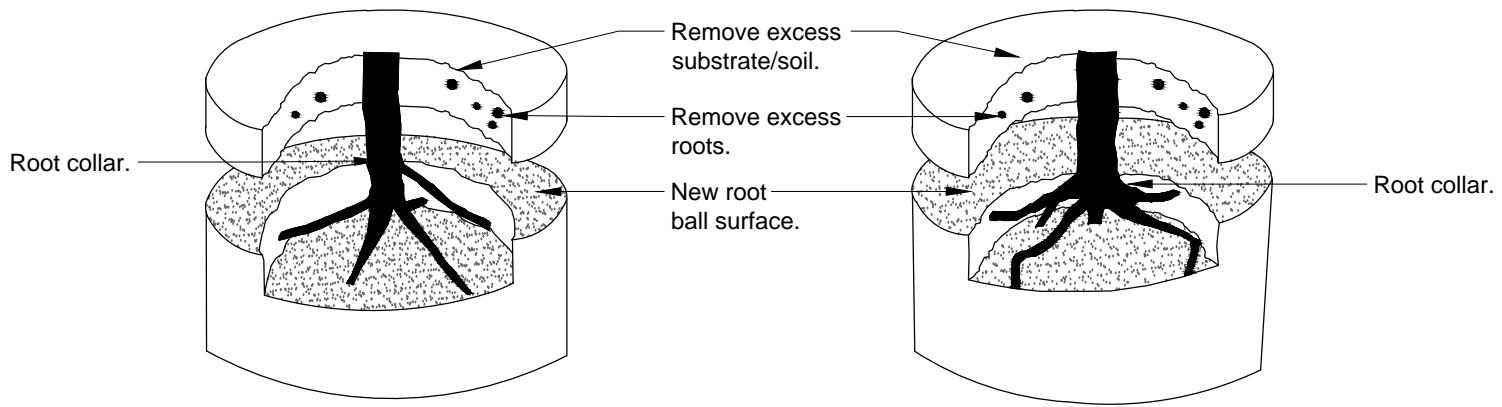


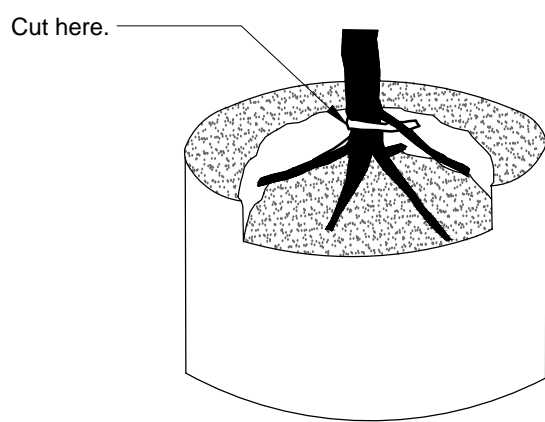
Step 1 - Remove substrate over root collar.



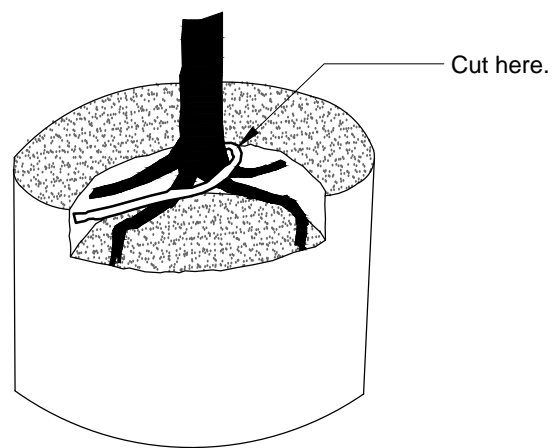
Tree planted too deeply in root ball. Remove excess substrate and roots to meet root inspection detail.

Tree planted too deeply in root ball. Remove excess substrate and roots to meet root inspection detail.

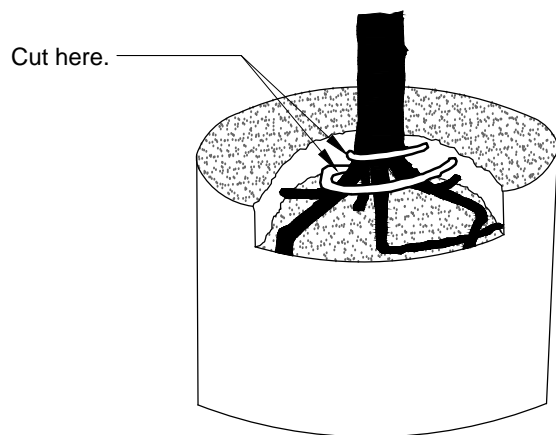
Step 2 - Remove defects.



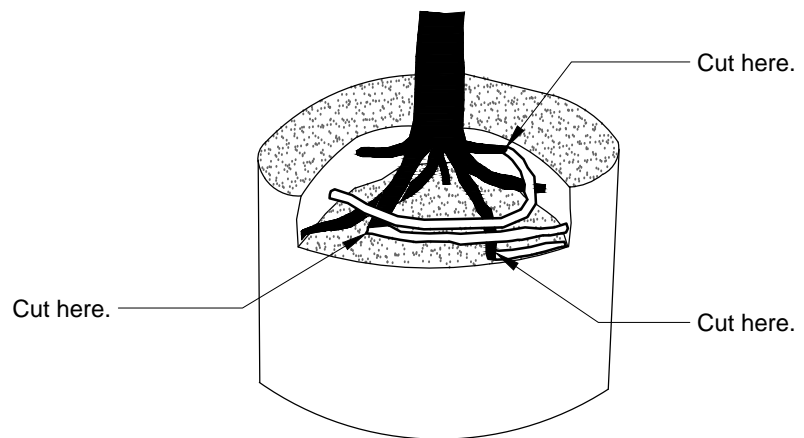
Five structural (large) roots shown in black. Remove structural root (white) wrapping root collar.



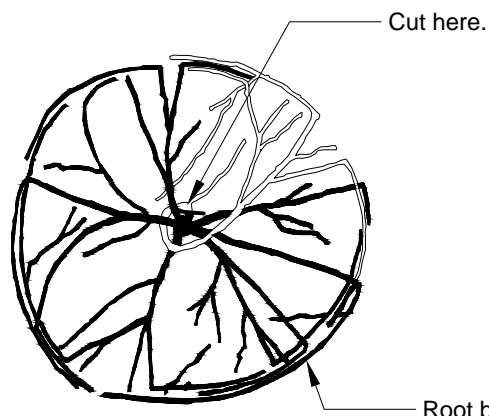
Four structural roots shown in black. Remove root (white) growing over structural roots.



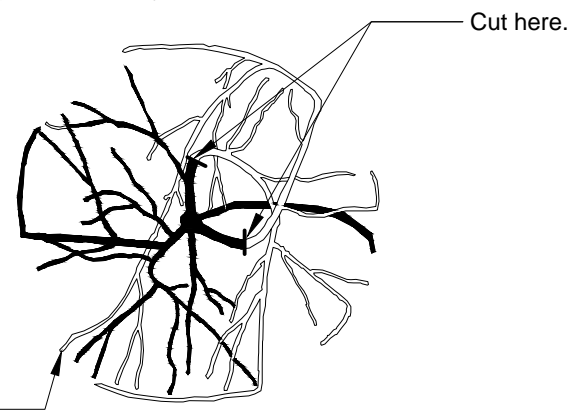
Six structural roots shown in black. Remove roots (white) growing over root collar by cutting them just before they make an abrupt turn.



Seven structural roots shown in black. Remove structural roots (white) growing around or over root collar by cutting them just before they make an abrupt turn.



Cut structural root just before it makes abrupt turn. Pruning cut should be made tangent (parallel) to the trunk.



Cut structural roots just before they make abrupt turn by cutting tangent (parallel) to the trunk (two cuts shown).

Notes:

- 1- All trees shown are rejectable unless they undergo recommended correction.
- 2- First Step 1, then Step 2. Roots and soil may be removed during the correction process; substrate/soil shall be replaced after correction has been completed.
- 3- Trees shall meet root observations detail following correction.
- 4- Small roots (1/4" or less) on the periphery of the root ball are common with container plant production. These small roots are not defined as "defects" and can be addressed at the time of installation (See root ball shaving container detail).